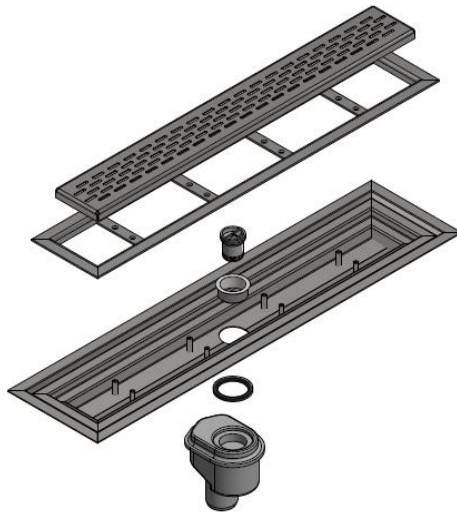


Drain body, Socket inclination 90°

Product information for the product group



- Drain body DN50
- Drain body can be rotated 360°
- Suitable for all push fit pipe socket systems

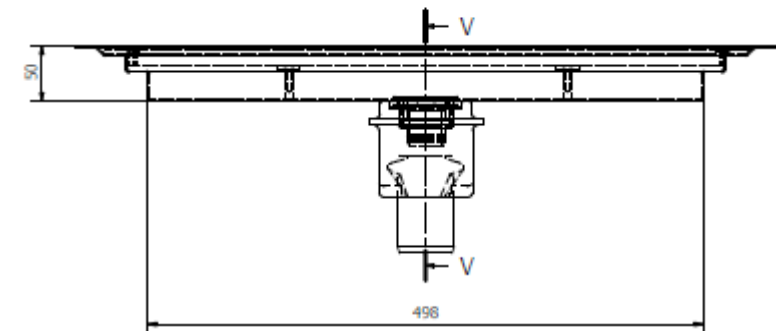
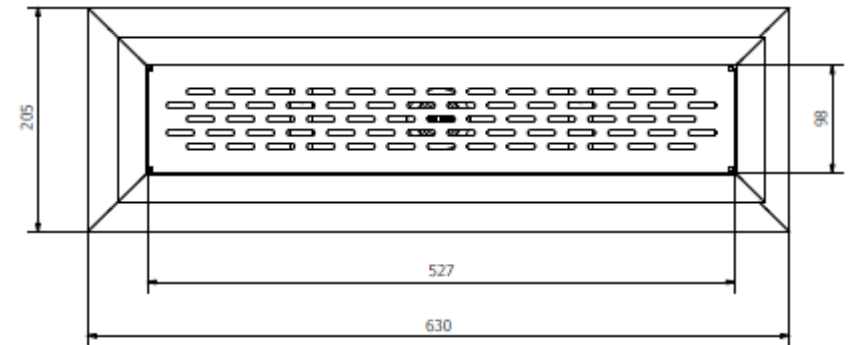
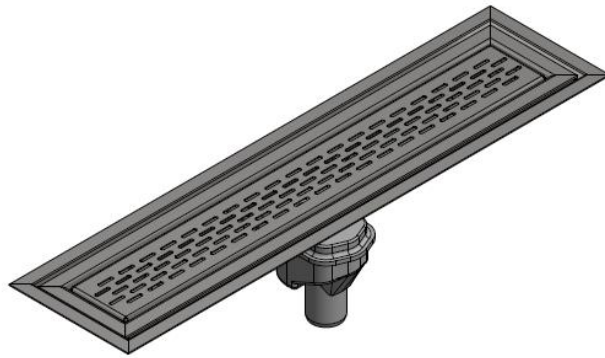
Product benefits

- Available in 1.4301 (304) or 1.4404 (316L) grades of stainless steel, pickled and passivated
- Anchors for fixing in concrete
- Flexible installation due to rotatable and adjustable gully
- Recessed grating for improved drainage
- Integrated FAT for easy maintenance
- Suitable for public areas due to locked grating
- Borderless drainage solutions – Easy accessibility

- Water sealant height: 50 mm
- Slotted grating of stainless steel (*Custom designs available on request*)
- Designed for perfect application with vinyl sheeting
- Load class: K 3
- Brushed silk gloss grating
- Locked grating

Drain body, Socket inclination 90°

Item Technical Data POL VCH500

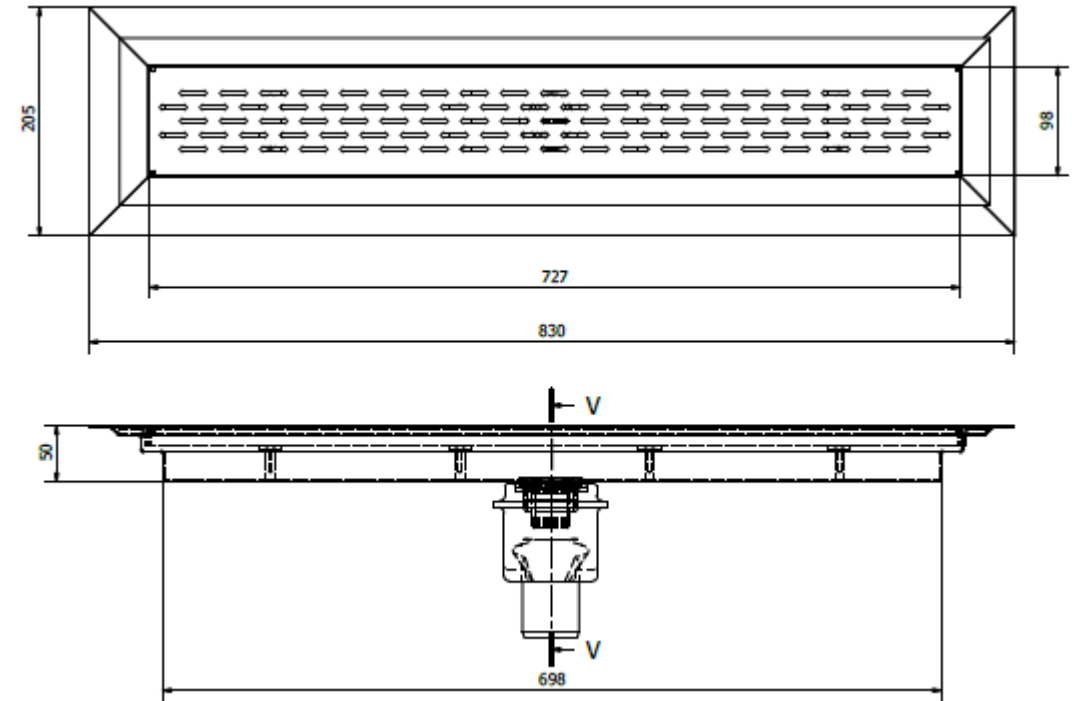
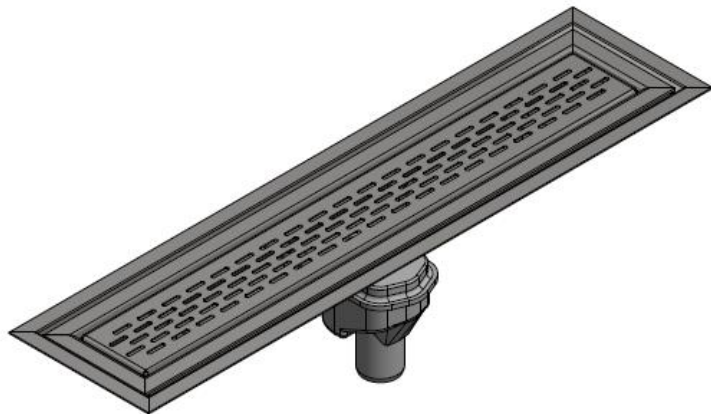


| Flange design | Description | Flow rate (l/s) |
|--|--|-------------------------------|
| <input type="checkbox"/> Location flange | <input type="checkbox"/> For vinyl sheet flooring <input type="checkbox"/> With clamping flange <input type="checkbox"/> With slotted grating <input type="checkbox"/> Grating top 527mm x 98mm | <input type="checkbox"/> 0.46 |

Custom lengths and grating available on request

Drain body, Socket inclination 90°

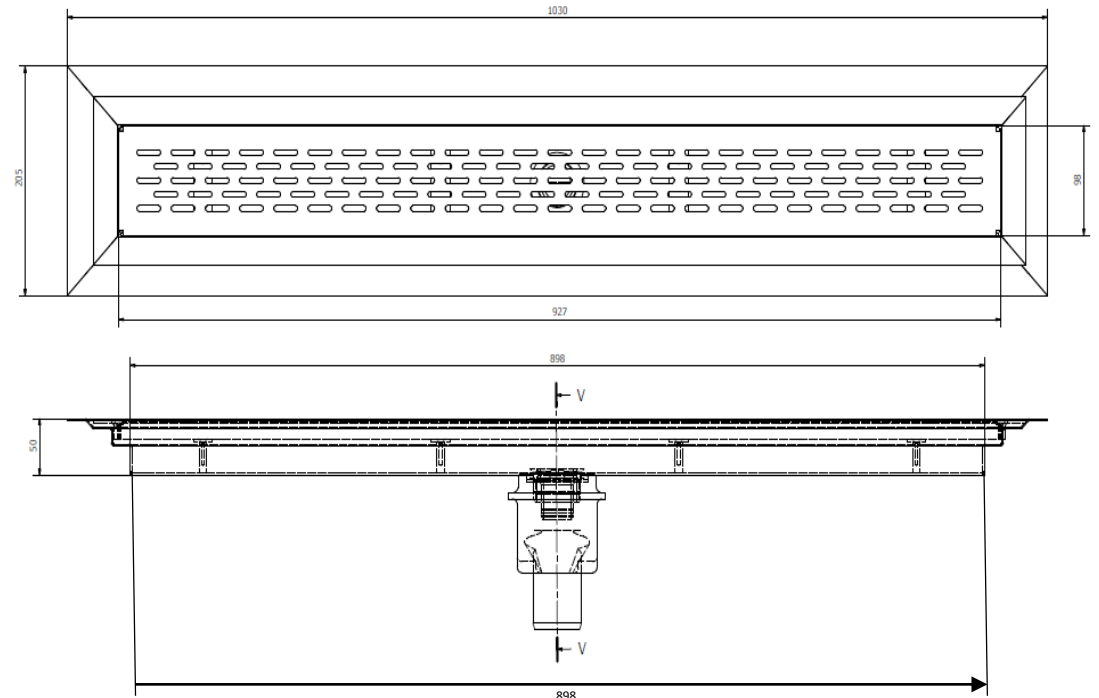
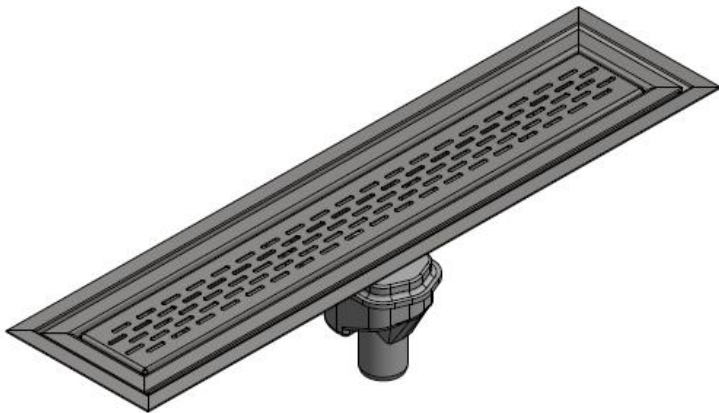
Item Technical Data POL VCH700



| Flange design | Description | Flow rate (l/s) |
|--|--|-------------------------------|
| <input type="checkbox"/> Location flange | <input type="checkbox"/> For vinyl sheet flooring <input type="checkbox"/> With clamping flange <input type="checkbox"/> With slotted grating <input type="checkbox"/> Grating top 727mm x 98mm | <input type="checkbox"/> 0.46 |

Drain body, Socket inclination 90°

Item Technical Data **POL VCH900**



| Flange design | Description | Flow rate (l/s) |
|--|--|-------------------------------|
| <input type="checkbox"/> Location flange | <input type="checkbox"/> For vinyl sheet flooring <input type="checkbox"/> With clamping flange <input type="checkbox"/> With slotted grating <input type="checkbox"/> Grating top 927mm x 98mm | <input type="checkbox"/> 0.46 |